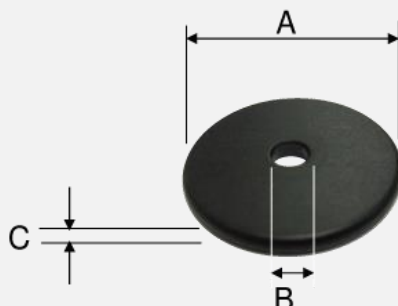


HF TAG MiTH-M30



MECHANICAL DIMENSIONS

A	Tag Diameter	30.0 ± 0.5	mm
B	Screw Hole	5.0 ± 1.0	mm
C	Tag Thickness	3.0 ± 0.5	mm

FEATURES

Applications	<ul style="list-style-type: none">• Warehouse Management• Process Control• Laundry Management• Asset Management / Tracking
Operating Distance	Typically ~3cm desktop reader (Depending on the Reader Design)
Frequency	13.56MHz
Transmission	Passive
Protocol Compliance	ISO/IEC 15693
Functions	Multiple Read Capability: Anti-collision compliant to ISO15693
Memory	1kb Memory

DELIVERY FORM

Tag Format	Singulated
Tag Face Material	PA6 / PA9T
Assembly	Overmolding
Protection Class	IP68
Standard Color	Black
Approximately Weight	~5g
Operating Temperature	-25°C to 90°C
Storage Temperature	-25°C to 120°C 250°C for 2 hours
EAS	Yes
Write Endurance Cycle	100,000 cycles
Data Retention	Typical 10 years
Final Inspection	100% inspection. Yield >95%. Bad Units were marked.
Data Sheet Version	MiTH-M30-03
Date	22 May 2017

A Product of:



MDT INNOVATIONS SDN. BHD.
Suite 19-04A, The Pinnacle Persiaran Lagoon, Bandar
Sunway 46150 Petaling Jaya, Malaysia.
TEL: +60(3) 7610 2988
FAX: +60(3) 7610 2999
EMAIL: contact@mmdt.cc



All rights reserved.
Product specification are subject to change without prior notice.