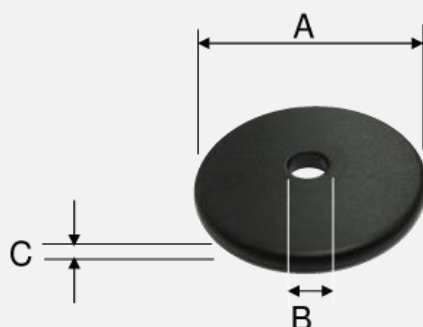
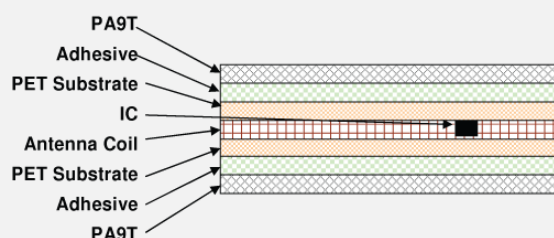


UHF TAG MiTU-M34



MECHANICAL DIMENSIONS

| Dimension | Description | Value | Unit |
|-----------|---------------|------------|------|
| A | Tag Diameter | 30.0 ± 0.5 | mm |
| B | Screw Hole | 5.0 ± 1.0 | mm |
| C | Tag Thickness | 3.0 ± 0.5 | mm |



FEATURES

| | |
|----------------------------|---|
| Applications | <ul style="list-style-type: none"> • Warehouse Management • Process Control • Laundry Management • Asset Management / Tracking |
| Operating Distance | Typically ~3cm desktop reader (Depending on the Reader Design) |
| Frequency | 860MHz – 960MHz |
| Transmission | Passive |
| Protocol Compliance | EPC Class 1 Gen 2 Compliant |
| Functions | <ul style="list-style-type: none"> • Anti-Collision: Slotted Aloha • Multiple Read Capability: 50 tags/seconds (ID Read) • Multiple Read Capability: 500 tags/seconds (EPC Read) |
| Memory | <ul style="list-style-type: none"> • 368 bit • 23 blocks @ 2 bytes |
| Data Sheet Version | MiTH-M30-03 |
| Date | 22 May 2017 |

DELIVERY FORM

| | |
|---|---|
| Physical Characteristics | Flexible Substrate |
| Substrate Type & Heat Resistance | Option 1: 50µm Polyester (PVC) ±0.1% shrinkage at 150°C for 1 min Option 2: 50µm Polyimide (PI) ±0.1% shrinkage at 250°C for 1 min Option 3: 50µm Paper ±0.3% shrinkage at 150°C for 1 min |
| Antenna | MiRFID™ MiTU-M34 Antenna |
| Antenna Material | Etched Antenna |
| Operating Temperature | -20°C to 90°C |
| Storage Temperature | -25°C to 120°C 160°C for 50 Hours 220°C for 30 Seconds |
| Printable Area | Yes (optional) |
| Write Endurance Cycle | 100,000 cycles |
| Data Retention | Typical 10 years |
| Final Inspection | 100% inspection. Yield >98%. |
| Appearance | Singulated Units |
| Packaging | Packed in cardbox |

A Product of:



MDT INNOVATIONS SDN. BHD.
 Suite 19-04A, The Pinnacle Persiaran Lagoon, Bandar Sunway 46150 Petaling Jaya, Malaysia.
 TEL: +60(3) 7610 2988
 FAX: +60(3) 7610 2999
 EMAIL: contact@mmdt.cc



All rights reserved.
 Product specification are subject to change without prior notice.